

PSD Series

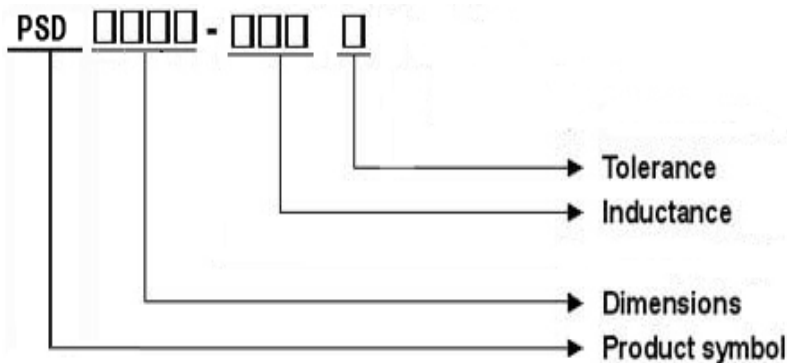
Feature

- RoHS compliant
- Available in magnetically shielded.
- Low DC resistance.
- Suitable for large currents.
- Ideal for a variety of DC – DC converter inductor applications.
- Available on tape and reel for automatic surface mounting.

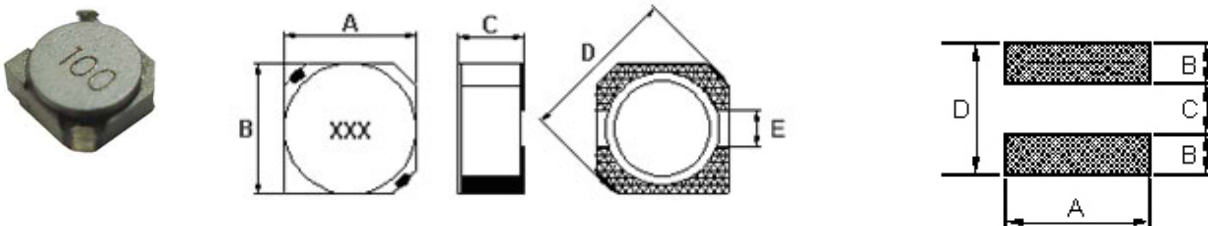
Applications

- Power supply for VTRs.
- OA equipment.
- LCD televisions.
- Notebook PCs.
- Portable communication equipment.
- DC / DC converters, etc.

Product Identification



Recommended Pattern

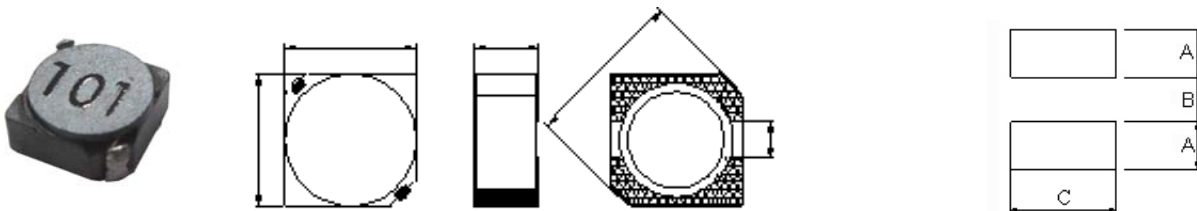


Dimensions in mm						Dimension in mm				
TYPE	A	B	C	D	E	TYPE	A	B	C	D
PSD3D16	4 ⁺⁰	4 ⁺⁰	1.8 ⁺⁰	5.2 ⁺⁰	1.0	PSD3D16	4.6	1.6	1.4	4.6

PSD 4D18 ~ 6D38

Shapes and Dimensions

Recommended Pattern

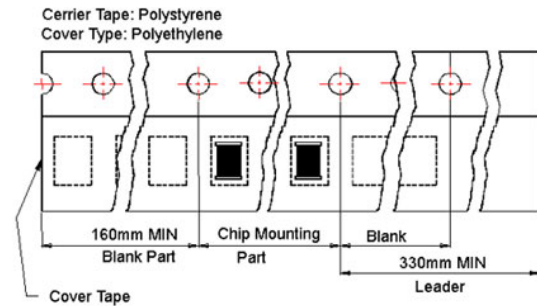
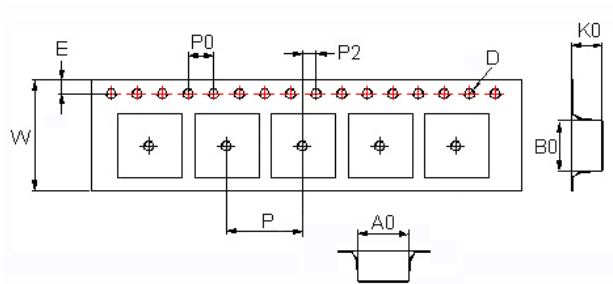


Dimension in mm						Dimension in mm			
TYPE	A	B	C	D	E	TYPE	A	B	C
PSD4D18	4.7 ± 0.3	4.7 ± 0.3	2.0 ⁺⁰	6.9 ⁺⁰	1.5	PSD4D18	1.9	1.5	5.3
PSD4D28	4.7 ± 0.3	4.7 ± 0.3	3.0 ⁺⁰	6.9 ⁺⁰	1.5	PSD4D28	1.9	1.5	5.3
PSD4D40	4.7 ± 0.3	4.7 ± 0.3	4 ⁺⁰	6.9 ⁺⁰	1.5	PSD4D40	1.9	1.5	5.3
PSD5D18	5.7 ± 0.3	5.7 ± 0.3	2.0 ⁺⁰	8.2 ⁺⁰	2.0	PSD5D18	2.15	2.0	6.3
PSD5D28	5.7 ± 0.3	5.7 ± 0.3	3.0 ⁺⁰	8.2 ⁺⁰	2.0	PSD5D28	2.15	2.0	6.3
PSD6D28	6.7 ± 0.3	6.7 ± 0.3	3.0 ⁺⁰	9.5 ⁺⁰	2.0	PSD6D28	2.65	2.0	7.3
PSD6D38	7 ⁺⁰	7 ⁺⁰	4 ⁺⁰	9.5 ⁺⁰	2.0	PSD6D38	2.65	2.0	7.3

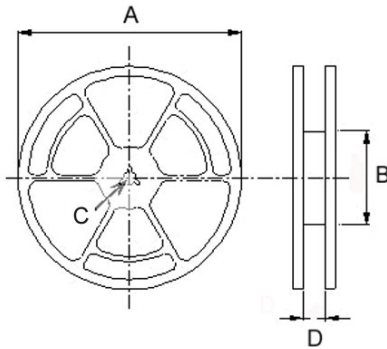
Stamp	Inductance (μ H)	D.C.R (m Ω) Max								Rated Current (A)							
		PSD 3D16	PSD 4D18	PSD 4D28	PSD 4D40	PSD 5D18	PSD 5D28	PSD 6D28	PSD 6D38	PSD 3D16	PSD 4D18	PSD 4D28	PSD 4D40	PSD 5D18	PSD 5D28	PSD 6D28	PSD 6D38
1R0	1.0		45								1.72						
1R2	1.2			23.6								2.56					
1R5	1.5	52								1.55							
1R7	1.7																
1R8	1.8			27.5								2.20					
2R2	2.2	72	75	31.3	22					1.20	1.32	2.04	4.6				
2R5	2.5						18								2.60		
2R7	2.7		105	43.3							1.28	1.60					
3R0	3.0						24	24							2.40	3.00	
3R3	3.3	85	110	49.2	33				20	1.10	1.04	1.57	3.4				3.50
3R9	3.9		155	64.8					27		0.88	1.44				2.60	
4R1	4.1					57								1.95			
4R2	4.2						31								2.20		
4R7	4.7	105	162	72.0	44					0.90	0.84	1.32	2.8				
5R0	5.0							31	24							2.40	2.90
5R3	5.3							38							1.90		
5R4	5.4					76								1.60			
5R6	5.6		170	100.9							0.80	1.17					
6R0	6.0								35							2.25	
6R2	6.2					96	45		27					1.40	1.80		2.50
6R3	6.3																
6R8	6.8	170	200	108.9	46					0.73	0.76	1.12	2.6				
7R3	7.3								54							2.10	
7R4	7.4									31							2.30
8R2	8.2		245	117.5			53				0.68	1.04			1.60		
8R6	8.6								58							1.85	
8R7	8.7									34							2.20
8R9	8.9					116								1.25			
100	10	210	280	128.3	150	124	65	65	38	0.55	0.61	1.00	1.8	1.20	1.30	1.70	2.00
120	12		320	131.6		153	76	70	53		0.56	0.84		1.10	1.20	1.55	1.70
150	15	295	360	149.0	210	196	103	84	57	0.45	0.50	0.76	1.6	0.97	1.10	1.40	1.60
180	18		400	166.0		210	110	95	92		0.48	0.72		0.85	1.00	1.32	1.50
220	22	430	480	235.0	270	290	122	128	96	0.40	0.41	0.70	1.4	0.80	0.90	1.20	1.30
270	27		570	261.0		330	175	142	109		0.35	0.58		0.75	0.85	1.05	1.20
330	33	675	694	331.3		386	189	165	124	0.32	0.32	0.56		0.65	0.75	0.97	1.10
390	39		800	383.7		520	212	210	138		0.30	0.50		0.57	0.70	0.86	1.00
470	47		950	587.0		595	250	238	150		0.28	0.48		0.54	0.62	0.80	0.95
560	56		1080	624.5		665	305	277	202		0.26	0.41		0.50	0.58	0.73	0.85
680	68		1300	699.0		840	355	304	234		0.24	0.35		0.43	0.52	0.65	0.75
820	82			914.8		978	463	390	324			0.32		0.41	0.46	0.60	0.70
101	100			1020		1200	520	535	358			0.29		0.36	0.42	0.54	0.65
121	120			1270								0.27					
151	150			1350								0.24					
181	180			1540								0.22					

Packaging Specifications

Tape Dimensions



Reel Dimensions



Dimensions in mm

TYPE	Tape Dimensions									Reel Dimensions				Quantity PCS / REEL
	A0	B0	K0	D	E	W	P	P0	P2	A	B	C	D	
PSD 3D16	4.1	4.1	2.0	1.5	1.75	12	8	4	2	178	60	13	13.2	1000
PSD 4D18	5.3	5.3	2.4	1.5	1.75	12	8	4	2	330	100	13	13.4	2000
PSD 4D28	5.3	5.3	3.4	1.5	1.75	12	8	4	2	330	100	13	13.4	2000
PSD 4D40	5.35	5.35	4.1	1.55	1.75	12	8	4	2	330	100	13	13.4	1000
PSD 5D18	6.2	6.2	2.2	1.55	1.75	16	12	4	2	330	100	13	13.4	1500
PSD 5D28	6.2	6.2	3.1	1.55	1.75	16	12	4	2	330	100	13	17.4	1500
PSD 6D28	7.25	7.25	3.35	1.55	1.75	16	12	4	2	330	100	13	17.4	1500
PSD 6D38	7.1	7.1	4.1	1.55	1.75	16	12	4	2	330	100	13	17.4	1000